

KF 700P Series



Lightweight, compact electromagnetic flowmeter with PBT liner designed for wafer fitting between flanges

Features

- High accuracy
- No moving parts
- Compact design
- No pressure drop
- Bidirectional capability
- Three 316L electrodes as standard.
Due to the third grounding electrode the meter does not require grounding rings if installed in plastic pipes.

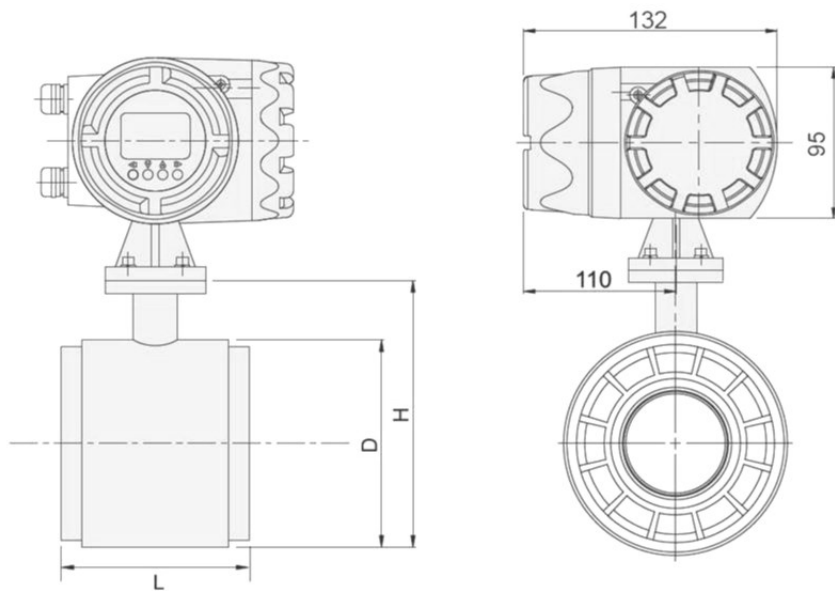


Specifications

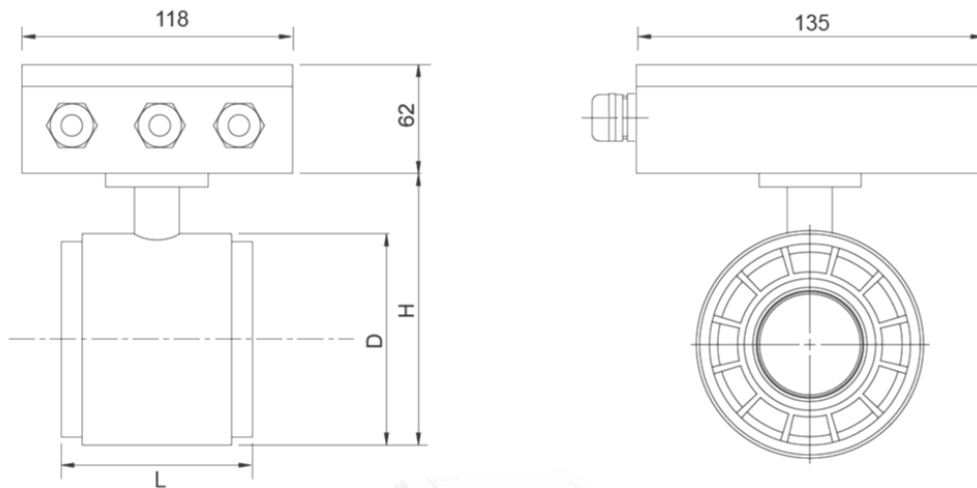
Connection / Size	Wafer / DN25 ~ DN150 (1" ~ 6")
Electrode Material	Standard SS316L, Option: Titanium, Hastelloy
Tube Material	PBT (Polybutylene Terephthalate)
Accuracy	Standard calibration: $\pm 1.0\%$ RS; Extended calibration: $\pm 0.25\%$ RS
Temperature Range	0 ~ 80°C
Pressure Range	0.6 ~ 4.0 MPa
Fluid Conductivity	Must be greater than 5 $\mu\text{S}/\text{cm}$
Protection Rating	IP 65 / IP 67
Power Supply	24V DC, 220V AC
Digital Output	4-20 mA / pulse / frequency (passive)
Cable Entries	2 x M20
Display & Key	LCD 128x64 Pixels, back light, 4-keypad button

Measuring Range in m³/h

DN	Min. Flow 0.5m/s	Nominal Flow 5m/s	Max. Flow 10m/s
25	0.9	8	16
32	1.5	14	28
40	2.5	22	45
50	3.5	35	70
65	6	60	120
80	9	90	180
100	14	140	280
125	22	200	400
150	32	300	600



Integral Type With Display



Remote Type Without Display

Dimensions in mm

D N(mm)	L	D	H
25	68	73	113
40	90	95	135
50	95	108	148
65	102	124	165
80	110	138	180
100	130	158	200
125	150	190	230
150	195	220	260